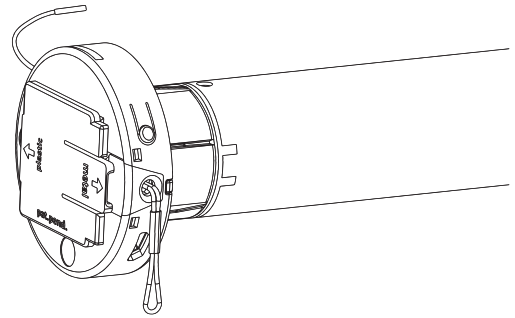




# NEWTON SMART SHADE SYSTEM

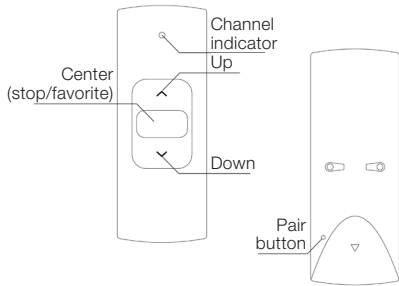
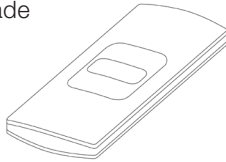
## QUICK PROGRAMMING INSTRUCTIONS

Includes control features & user programming  
steps for both roman and roller shades



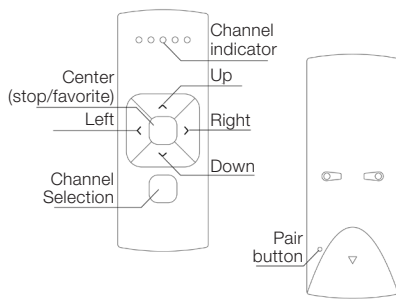
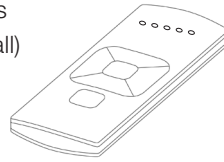
### 1 Channel Remote

For single shade



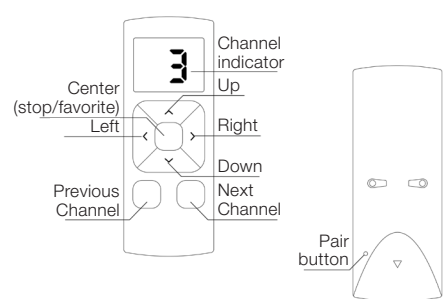
### 5 Channel Remote

For 2-4 shades  
(4 shades / 1 all)

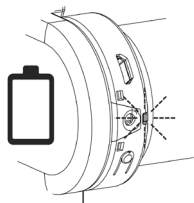


### 15 Channel Remote

For 5-14 shades  
(14 shades / 1 all)

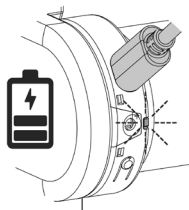


## RECHARGE THE BATTERY



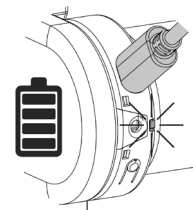
### Battery Is Empty

When the LED light flashes  
red during operation, battery  
needs to be recharged.



### Battery Is Charging

Use a micro USB cable to charge  
the motor. When the LED light  
flashes green, battery is charging.



### Battery Is Charged

When the LED light is constantly  
green; no longer flashing, the  
battery is fully charged.



## SHADE OPERATION

### MOVE THE SHADE

#### NOTE

Your shade has been preprogrammed, follow instructions below to operate shade. To adjust limits, set a favorite position, reset or delete all settings, follow programming instructions.

#### Pull Control

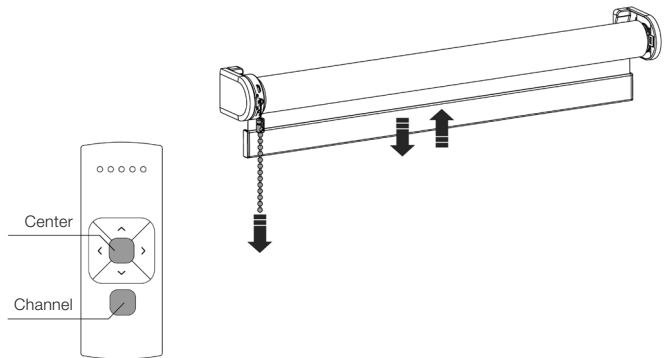
Pull once to move the shade to the end position.

Pull again to stop the shade.

#### Remote Control

Press the up or down button to operate the shade. Press the center button to stop the shade.

For multi-channel remotes, first press the channel button until the desired shade channel is selected, then operate as described above.



### SET FAVORITE POSITION

**Step 1:** Move the shade to a desired favorite position. Press the program button on the motor to activate program mode. The shade starts jogging.

**Step 2:** Hold the center button to save this favorite position. The shade briefly stops jogging, indicating the favorite position has been saved successfully.

**Step 3:** Briefly press the program button to deactivate program mode. The shade stops jogging and can be operated.

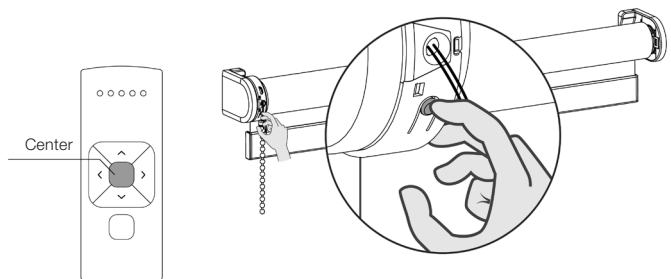
### MOVE TO FAVORITE POSITION

#### Pull Control

Pull and hold to move the shade to the favorite position.

#### Remote Control

Press and hold the center button to move the shade to the favorite position.





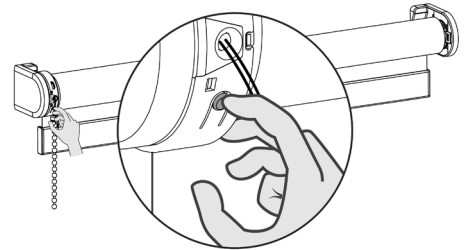
## NEWTON SETTINGS

### INITIATE PROGRAMMING

#### NOTE

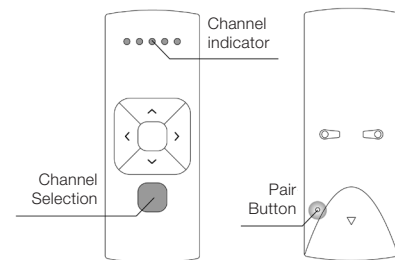
Your shades have been preprogrammed. Follow these instructions if you would like to adjust limits, reset or delete all settings.

**Step 1:** Briefly press the program button on the motor. The shade will start jogging, indicating that program mode has been activated. The shade continues jogging until the program mode is deactivated. Jogging will stop briefly between steps, then resume.



**Step 2:** For multi-channel remotes, select a desired channel for the shade using the channel selection button on the remote control.

**Step 3:** Press the pair button on the back of the remote control to pair the shade with the selected channel. The shade will briefly stop jogging, indicating that the remote has been paired to the shade.



#### NOTE

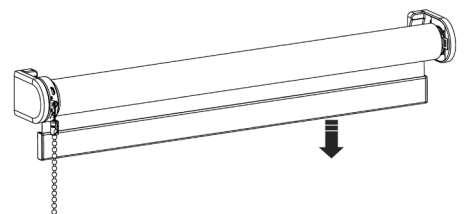
Repeat steps 1-3 to remove a shade from a channel.

## CHECK ROTATIONAL DIRECTION

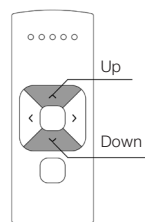
### WARNING: RISK OF DAMAGE

Stop the shade before reaching the end position.

**Step 1:** Briefly press the down button to check if the shade unrolls the correct way. If the shade moves up, the rotational direction must be changed.



**Step 2:** Simultaneously press the up and down button until the shade jogs to change the rotational direction.





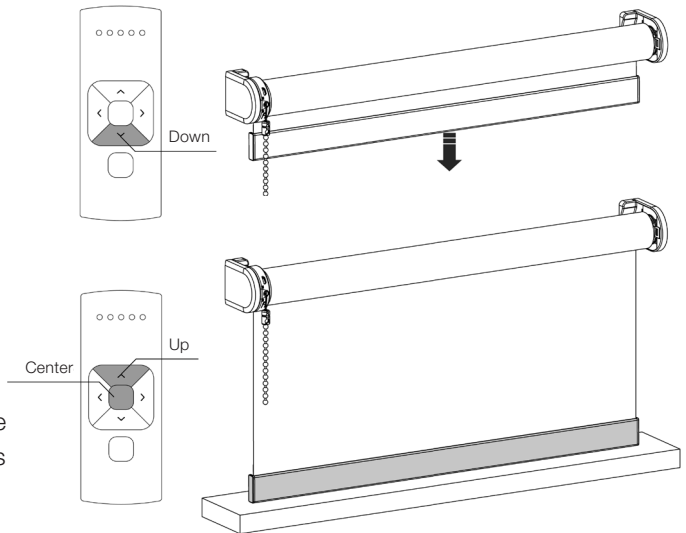
## NEWTON SETTINGS

### RESET LOWER LIMITS

**WARNING: RISK OF DAMAGE**

Slowly approach the bottom position.

**Step 1:** Press and hold the down button until the shade reaches the desired bottom position.



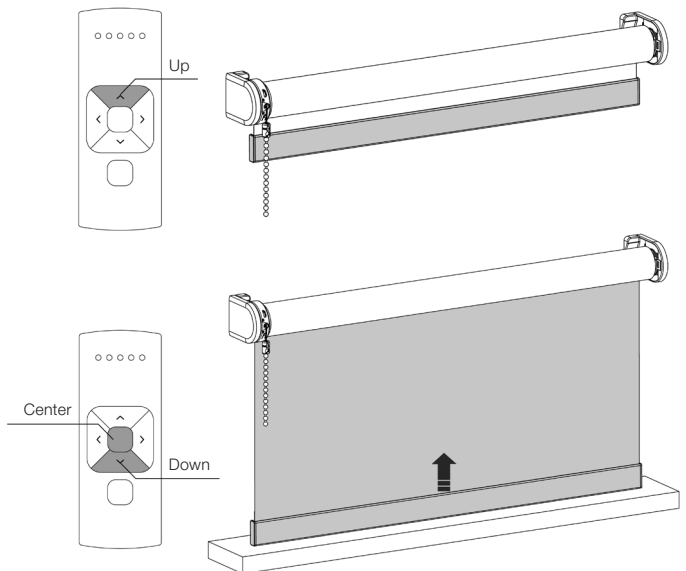
**Step 2:** Simultaneously press and hold the center and the up button until the shade briefly stops jogging, then starts jogging again. The bottom position has been saved.

### RESET UPPER LIMITS

**WARNING: RISK OF DAMAGE**

Slowly approach the top position.

**Step 1:** Press and hold the up button until the shade reaches the desired top position.



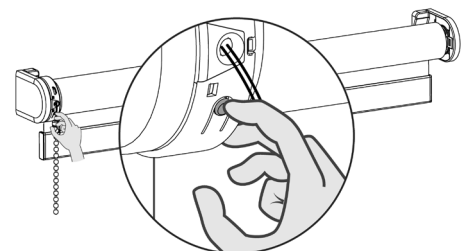
**Step 2:** Simultaneously press and hold the center and down button until the shade stops jogging, then starts jogging again. The top position has been saved.

**NOTE**

Once shade limits have been set you can copy and paste them to different channels. See page 6.

### DEACTIVATE PROGRAM MODE

Briefly press the program button to deactivate program mode. The shade will stop jogging and can be operated.





## NEWTON SETTINGS

### COPY AND PASTE SHADE SETTINGS TO DIFFERENT CHANNELS

**Step 1:** Select the channel from which the shades must be copied.

---

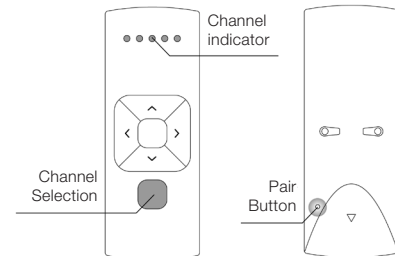
**Step 2:** Simultaneously hold the channel selection button and pair button. Selected shades will start jogging indicating program mode is activated.

---

**Step 3:** Select a new channel to which selected shades will be pasted. Press the pair button to paste.

---

**Step 4:** To exit channel select, go back to the channel selected in Step 1 and repeat Step 2. Shades will stop jogging indicating program mode is deactivated.



## RESET OR DELETE ALL SETTINGS

### NOTE

It is possible to only delete end limits or to do a factory reset. Factory reset will delete the end limits and remove the connection to any paired remote.

---

### DELETE END LIMITS

Briefly press the program button on the motor to activate program mode. Press and hold the program button until the shade stops jogging for the first time, keep holding the button until the shade stops jogging for the second time.

---

### FACTORY RESET

Briefly press the program button on the motor to activate program mode. Press and hold the button for at least 20 seconds. The shade will stop jogging twice. After the second stop the shade will give one extra jog to confirm factory reset.

